



PRODUCT DATASHEET

Confidex Captura

CONTENTS

1.	PRODUCT DESCRIPTION	2
1.1	SPECIFICATION DATA.....	2
1.2	DIMENSIONS	2
1.3	ELECTRICAL PERFORMANCE.....	3
1.4	RESISTANCE AGAINST ENVIRONMENTAL CONDITIONS*	3
1.5	SUPPORTING COMPONENTS.....	4
1.6	SUPPORTED SERVICES	4
1.7	POSSIBLE APPLICATIONS.....	4
2.	INSTALLATION INSTRUCTIONS.....	4
2.1	TAG PLACEMENT	4
2.2	TAG FIXING METHODS	4
3.	ORDER INFORMATION	5

1. PRODUCT DESCRIPTION

Confidex Captura, the newest member of the Confidex Class 1 Gen 2 tag portfolio steps into an unprecedented level in both C1G2 tag security and usability. The tag comes with both mechanical and electrical seal functions and is extremely easy and fast to attach. As there is no need for adhesives, screws or other fixing tools, it is simple to calculate the total cost of ownership for Captura. Just click, secure and tag your asset!

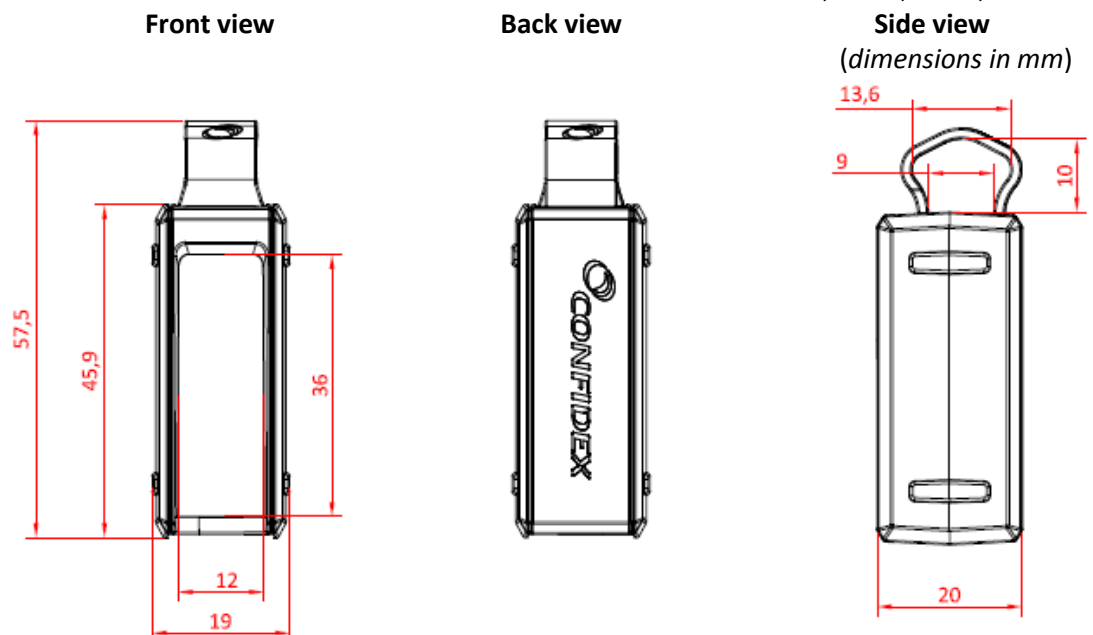
1.1 SPECIFICATION DATA

Device type	Class 1 Generation 2 passive UHF RFID transponder
Air interface protocol	EPC Global Class1 Gen2 ISO 18000-6C
Operational frequency	865-928MHz
IC options	NXP UCODE G2XM
EPC memory	up to 240 bit
EPC memory content	Unique EPC number encoded by default
Extended memory	512 bit
Read range	Tag is readable in 3m / 9.8ft RFID portal. Tag performance depends on the tagged object.
Applicable surface materials	Metal surfaces
Encapsulation material	Impact resistant plastics
Color	Pantone 433U
Delivery format	Single
Product is RoHS compliant	

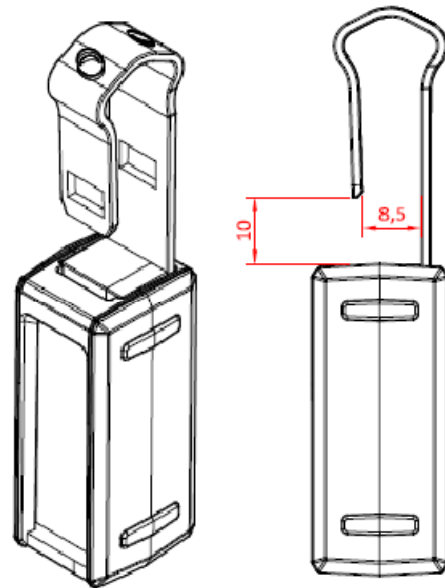
1.2 DIMENSIONS

**General dimensions
(Height x Width x
Thickness)**

57,5 x 19 x 20 mm
2,26 x 0,75 x 0,79 inch



Tag delivery format (dimensions in mm)



1.3 ELECTRICAL PERFORMANCE

Read range on-metal (2W ERP)	Depending on the tagged object, the tag is well readable in a typical, 3 meters (9,8ft) wide RFID gate
-------------------------------------	--

1.4 RESISTANCE AGAINST ENVIRONMENTAL CONDITIONS*

Typically values are valid for all tag versions. If not, applicable IC versions are marked

Operating temperature	-30°C to +70°C / -22°F to +158°F
Ambient temperature	-30°C to +70°C / -22°F to +158°F
IP classification	IP67: - Complete protection against dust - Protection against temporary immersion in water
Weather ability	Good, incl. UV-resistance and sea water
Expected lifetime	Years in normal operating conditions

** Values in the table are the best recommendations; resistance against environmental conditions depends on the combination of all influencing factors, exposure duration and chemical concentrations. Thus, product's final suitability for certain environmental conditions is recommended to be tested. Contact Confidex for more specific information.*

1.5 SUPPORTING COMPONENTS

No supporting components. Confidex Captura can be attached without additional tools, screws, rivets or adhesives.

1.6 SUPPORTED SERVICES

There are several personalization options available for Confidex Captura in order to “fine tune” the tag to match with the application requirements:

- Pre-encoding
- Customized data label

1.7 POSSIBLE APPLICATIONS

Metal surfaces	Metal returnable transit items, metal containers and any metal items that can place the tag’s metal hook. Automotive, logistics and retail supply chain applications.
-----------------------	---

2. INSTALLATION INSTRUCTIONS

2.1 TAG PLACEMENT

Confidex Captura’s patent pending design exploits the tagged object’s metal for its performance.

- Tag is delivered so that its hook is open
- Tag can be installed on any structure that structure has a metal part for fixing the tag’s hook.
- Select a location that has the most metal in the tag surroundings; by that way, tag’s performance is maximized.

2.2 TAG FIXING METHODS

Mechanical fixing

Captura can be fixed only mechanically:

- 1) Take the tag out from the box; its metal hook is open.
- 2) Select the tag’s location on the returnable transit item, insert the tagged objects metal part inside the hook
- 3) Close the hook by pressing it firmly. Tag is now ready to be used.

3. ORDER INFORMATION

Product number	Product name
3000264	Captura G2XM

For additional information and technical support contact Confidex Ltd.

FINLAND

Confidex Oy Ltd.
Haarlankatu 1, 33230 Tampere, Finland
Tel. +358 10 4244 100 Fax. +358 10 4244 110
www.confidex.net

USA

Confidex Inc.
1502 Fair Weather Ct., Apex, NC 27523, USA
Tel. +1 919 349 5607 fax +1 810 958 0515
www.confidex.net

CHINA

Confidex China
2F, Building A3, Guangzhou Science Enterprise Accelerator
No.11, Kai Yuan Rd, Guangzhou Economy Development Zone
Guangzhou 510530
People's Republic of China
Tel. +86 20 3205 7361 fax +86 20 3205 1429
www.confidex.net

DISCLAIMER

THE MATERIALS, PRODUCTS AND SERVICES ARE SOLD SUBJECT TO ITS STANDARD CONDITIONS OF SALE, WHICH ARE INCLUDED IN THE APPLICABLE DISTRIBUTOR OR OTHER SALES AGREEMENT. ALTHOUGH ANY INFORMATION, RECOMMENDATIONS, OR ADVICE CONTAINED HEREIN IS GIVEN IN GOOD FAITH, CONFIDEX MAKES NO WARRANTY OR GUARANTEE, EXPRESS OR IMPLIED, (i) THAT THE RESULTS DESCRIBED HEREIN WILL BE OBTAINED UNDER END-USE CONDITIONS, OR (ii) AS TO THE EFFECTIVENESS OR SAFETY OF ANY DESIGN INCORPORATING ITS PRODUCTS, MATERIALS, SERVICES, RECOMMENDATIONS OR ADVICE. EXCEPT AS PROVIDED IN CONFIDEX STANDARD CONDITIONS OF SALE, CONFIDEX AND ITS REPRESENTATIVES SHALL IN NO EVENT BE RESPONSIBLE FOR ANY LOSS RESULTING FROM ANY USE OF ITS MATERIALS, PRODUCTS OR SERVICES DESCRIBED HEREIN.

Each user bears full responsibility for making its own determination as to the suitability of Confidex products, materials, services, recommendations, or advice for its own particular use. Each user must identify and perform all tests and analyses necessary to assure that its finished systems incorporating Confidex products, materials, or services will be safe and suitable for use under end-use conditions.

Nothing in this or any other document, nor any oral recommendation or advice, shall be deemed to alter, vary, supersede, or waive any provision of this Disclaimer, unless any such modification is specifically agreed to in a writing signed by Confidex.