



ALR-8611-C High Performance RFID Antenna

The Alien Technology® ALR-8611-C is a high-performance, circularly-polarized patch antenna for demanding RFID applications. This antenna is certified for use with the ALR-8800 RFID reader.

The ALR-8611-C antenna delivers exceptional performance when used with the Alien ALR-8800 RFID reader.

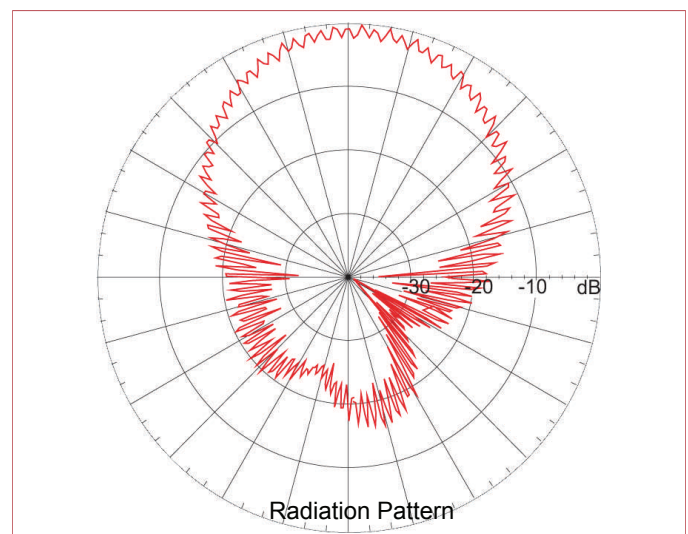
It is ideal for use in supply chain, asset tracking and manufacturing applications.

Optimized for 865-869 MHz, this antenna is suitable for EPC Gen 2 and ISO 18000-6c RFID applications in regions such as the EU, India, New Zealand, South Africa and the Middle East that are governed by ETSI EN 302-208 regulations.

- Circularly polarized
- Very low axial ratio
- Integrated, low-loss cable
- Weather resistant
- Low profile

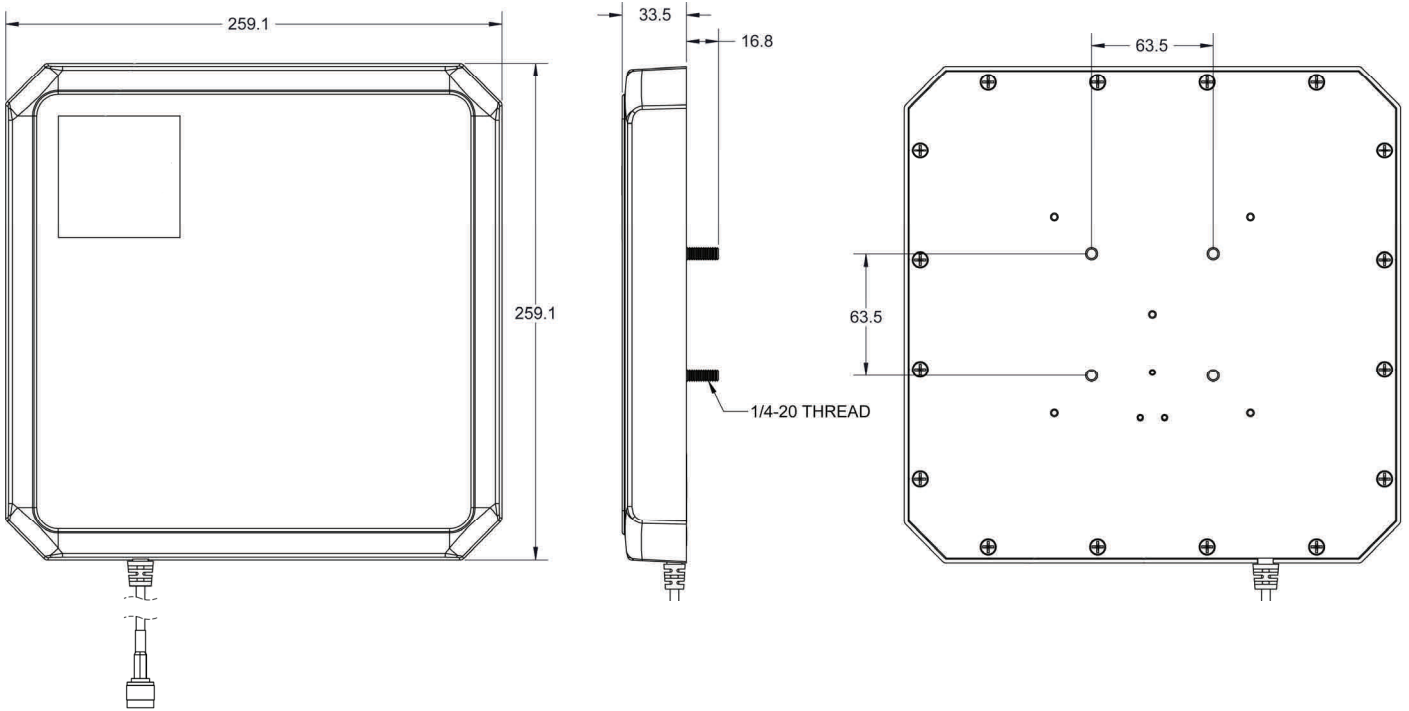


ALR-8611-C





ALR-8611-C RFID Antenna



Parameter	Specification
Model Number	ALR-8611-C
Frequency	865 to 869 MHz
Gain	5 dBiL with integrated cable; 7 dBiL without
VSWR (max)	1.5
Axial ratio (max)	2.0 (1.5 dB typ)
3 dB beamwidth - azimuth (max)	70 degrees
Polarization	Circular
Impedance	50 Ohms
Weight	800 grams
Connector and cable	Reverse polarity TNC / 6 meter LMR195 cable
Connector	Reverse polarity TNC
Mounting	Four 1/4-20 threaded studs
Grounding	DC grounded
Environmental	-25C to +70C operating temp, IP54 dust and moisture, UV safe
Emissions regulations	ETSI EN 302-208, EN 300-220, EN 301-489

Copyright © Alien Technology Corporation. All rights reserved. Alien, Alien Technology, the Alien Technology logo, FSA™, Alien Higgs-2, Higgs-3, Squiggle, and the Squiggle logo are trademarks or registered trademarks of Alien Technology Corporation in the U.S. and other countries. Other trademarks are the property of their respective owners.
April 2009



Alien Technology
18220 Butterfield Blvd.
Morgan Hill, CA 95037 USA
866-RFID NOW
www.alientechnology.com

Specifications are subject to change