



## ALR-8610-L High Gain RFID Antenna

The Alien Technology® ALR-8610-L is a high-gain, linearly-polarized antenna for RFID applications where RFID tag orientation is controlled. This antenna is certified for use with the ALR-8800 RFID reader.

The ALR-8610-L linearly polarized antenna delivers exceptional performance when used with the Alien ALR-8800 RFID reader.

It is ideal for use in supply chain, asset tracking and manufacturing applications where the antenna orientation can be matched with the tag orientation.

Optimized for 865-869 MHz, this antenna is suitable for EPC Gen 2 and ISO 18000-6c RFID applications in regions such as the EU, India, New Zealand, South Africa and the Middle East that are governed by ETSI EN 302-208 regulations.

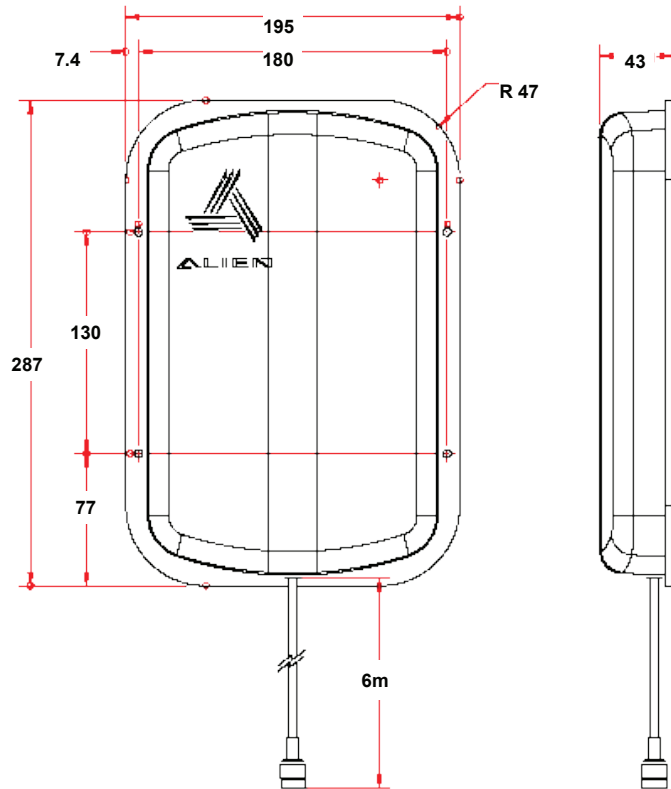
- Linearly polarized
- High gain
- Integrated, low-loss cable



ALR-8610-L



## ALR-8610-L RFID Antenna



Parameter	Specification
Model Number	ALR-8610-L
Frequency	865 to 869 MHz
Gain	6 dBiL (max) with integrated cable; 8 dBiL without
VSWR (max)	1.5
3 dB beamwidth - azimuth (max)	70 degrees
Polarization	Linear
Impedance	50 Ohms
Weight	750 grams
Dimensions	287 mm x 195 mm x 43 mm
Connector and cable	Reverse polarity TNC / 6 meter LMR195 cable
Mounting	Mounting holes in back panel flange
DC impedance	Open
Environmental	-25C to +70C operating temp, IP54 dust and moisture
Emissions regulations	ETSI EN 302-208, EN 300-220, EN 301-489

Copyright © Alien Technology Corporation. All rights reserved. Alien, Alien Technology, the Alien Technology logo, FSA™, Alien Higgs-2, Higgs-3, Squiggle, and the Squiggle logo are trademarks or registered trademarks of Alien Technology Corporation in the U.S. and other countries. Other trademarks are the property of their respective owners.  
April 2009

Specifications are subject to change



Alien Technology  
18220 Butterfield Blvd.  
Morgan Hill, CA 95037 USA  
866-RFID NOW  
www.alientechnology.com