

SHORT INLAY (HIGGS™ 4)

The Alien Technology® ALN-9762 “Short” RFID inlay is a narrow, high-performance, Higgs™ 4 based member of the Squiggle® family. Brings all the Higgs™ 4 advantages to highly-effective “Short” Inlay.



Applications

- Volume Retail/Apparel
- Enterprise Wide Asset Management
- Warehouse Management
- Tracking Challenging Materials and Objects

| FEATURE | DESCRIPTION | BENEFIT |
|---|--|---|
| Next generation Higgs™ 4 read/write performance in the highly-efficient “Short” Squiggle family tag | One of Aliens best performing general-purpose tags boosted by Higgs™ 4 performance and features. | Highly efficient smaller form-factor tag, still robust, proven and reliable. |
| Optimized 448 bit memory footprint | Optimized for both high-performance and high-volume applications | Designed to drive down the cost-of-ownership while increasing efficiencies of RFID solutions in large enterprises |

Features:

- › Designed to meet EPCglobal Gen2 (V 1.2.0) and ISO/IEC 18000-6C
- › Worldwide operation in the RFID UHF bands (840-960 MHz)
- › 448-Bits of NVRAM Memory
 - 128-EPC Bits
 - 128 User Bits
 - 64 Bit Unique TID
 - 32 Bit Access and 32 bit Kill Passwords
- › Pre-Programmed with a unique, unalterable 64-bit serial number
- › User Memory can be Block Perma-Locked as well as read password protected in 32 Bit Blocks
- › Low power operation for both read and program
- › Dynamic Authentication™ - anti-cloning/anti-counterfeit technology
- › Exceptional operating range, up to 11m with appropriate antenna.
- › Available in high-yield, high capacity dry/wet inlay rolls

Product Overview:

Powered by Alien®’s volume focused **Higgs™ 4 UHF RFID IC** and **innovative Short antenna design**, the ALN-9762 delivers industry leading EPC Gen 2 read and write performance in a narrower width than it’s bigger brother, the Squiggle®.

ALN-9762 inlays are *World Tag* compliant, enabling consistent operation across the diverse frequencies of the Americas, Europe, Middle East, Asia, and Africa.

With its Higgs-4 core, the Short delivers next generation performance and a rich feature set, yet is completely **optimized for the highest volume enterprise, retail, and apparel applications.**

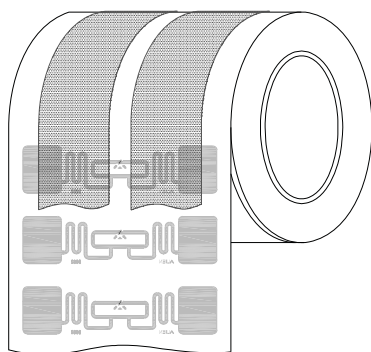
An optimized memory footprint includes a 32-bit TID, a **64-bit Unique TID for authentication** and **next generation serialization** applications, a **128-bit EPC memory** bank, 128-bits of user memory for distributed data applications, and **password protected read and write** support capabilities to prevent unauthorized viewing and modification of the tag’s data.

Typical applications for the Short include, but are not limited to, corrugate cases, pallet placard labels, apparel hang tags, shipping labels, asset management, file folder labels, and application on plastics.

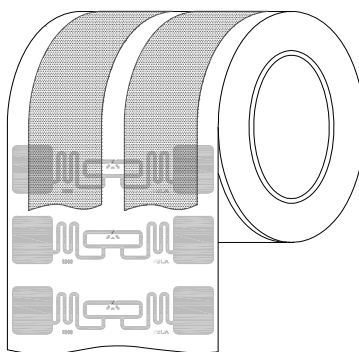


ALN 9762 Short Inlay

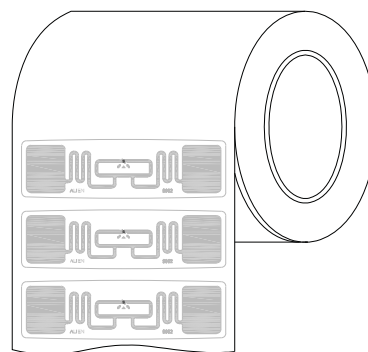
ALN-9762 Inlay Orientation



ALN-9762-R
(Dry Unslit Roll)



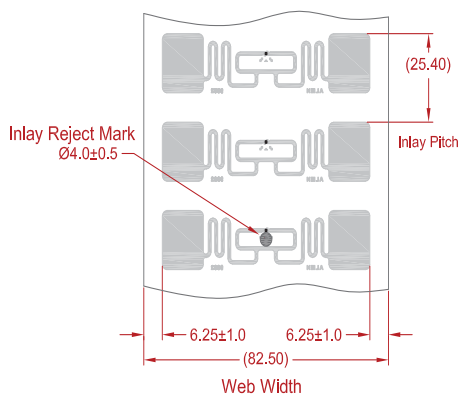
ALN-9762-SR
(Dry Slit Roll)



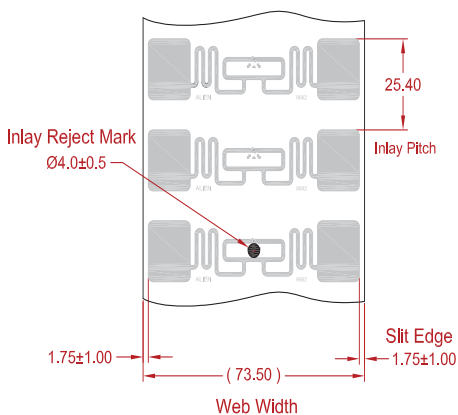
ALN-9762-WRW
(White Wet Inlay)

Standard Alien Inlay rolls unwind with metal antenna side facing outward, with respect to the core.

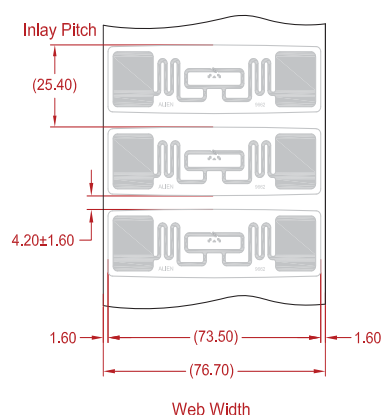
ALN-9762 Inlay Specification



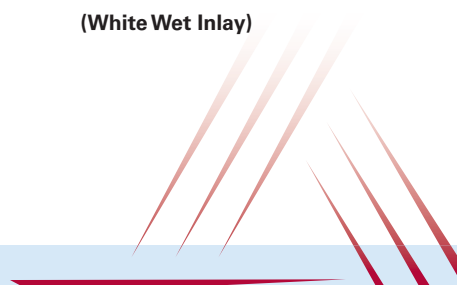
ALN-9762-R
(Dry Unslit Roll)



ALN-9762-SR
(Dry Slit Roll)



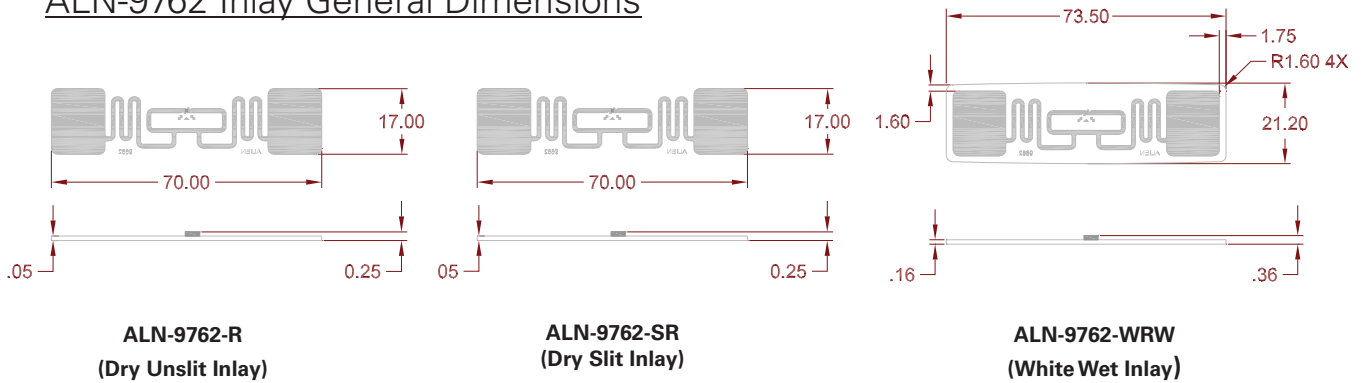
ALN-9762-WRW
(White Wet Inlay)





ALN 9762 Short Inlay

ALN-9762 Inlay General Dimensions



ALN-9762 Inlay Stackup

| DRY INLAY THICKNESS, ±20% | |
|---------------------------|---------|
| OVER ANTENNA | 0.05 mm |
| OVER CHIP | 0.25 mm |

| DRY INLAY THICKNESS, ±20% | |
|---------------------------|---------|
| OVER ANTENNA | 0.05 mm |
| OVER CHIP | 0.25 mm |

| WHITE WET INLAY THICKNESS, ±20% | |
|---------------------------------|---------|
| OVER ANTENNA | 0.16 mm |
| OVER CHIP | 0.36 mm |



ALN-9762-R
(Dry Unslit Inlay)

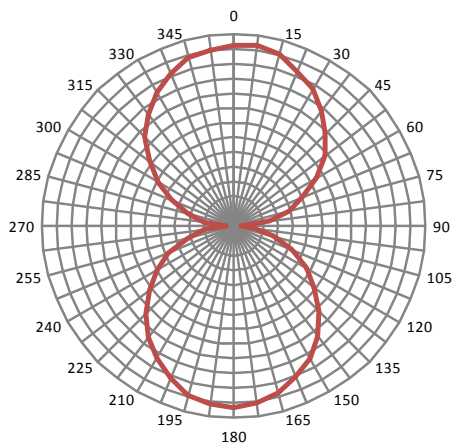


ALN-9762-SR
(Dry Slit Inlay)

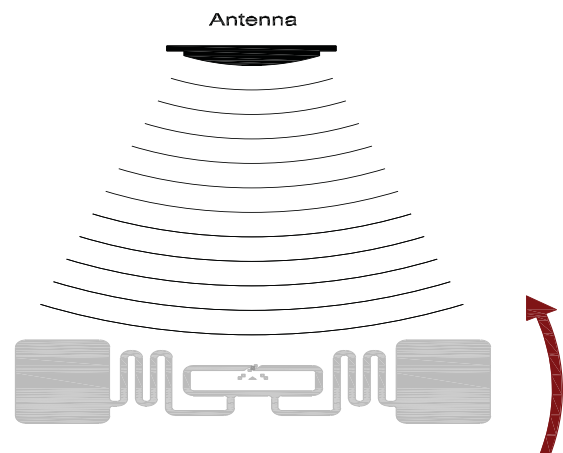


ALN-9762-WRW
(White Wet Inlay)

ALN-9762 Inlay Angular Sensitivity



Angular Sensitivity
(Relative Read Range vs. Orientation)



Angular Sensitivity
Inlay is rotated in the x, y, plane about the z axis
(tag shown at 0° with respect to face of antenna)



ALN 9762 Short Inlay

ALN-9762 Specifications

| Dry Inlay | |
|--------------------|------------------|
| Antenna Width | 2.756" [70mm] |
| Antenna Length | 0.669" [17mm] |
| Web Width (-R) | 3.25" [82.5mm] |
| Web Width (-SR) | 2.89" [73.5mm] |
| Web Pitch | 1.0" [25.4mm] |
| Core Width (-R) | 3.25" [82.5mm] |
| Core Width (-SR) | 2.89" [73.5mm] |
| Core ID | 6" [152.4mm] |
| Core Material | Fiberboard |
| Interleaf Material | Paper |
| Interleaf Width | 1.5" [38.1mm] |
| Inlays per Roll | 12,500 Nominal |
| Maximum Roll OD | < 12" [304.8mm] |
| Roll Labeling Data | Roll #, Quantity |

| Wet Inlay | |
|----------------------------------|-----------------------------------|
| Inlay Width | 2.96" [73.5mm] |
| Inlay Length | 0.835" [21.2mm] |
| Web Width | 3.02" [76.7mm] |
| Web Pitch | 1.0" [25.4mm] |
| Core Width | 2.874" [73.0mm] |
| Core ID | 6" [152.4mm] |
| Core Material | Fiberboard |
| Inlays per Roll | 12,500 Nominal |
| Maximum Roll OD | < 16" [406.4mm] |
| Roll Labeling Data | Roll #, Quantity |
| Overlay | TT Printable White Film Overlay |
| Overlay Adhesive | General Purpose Permanent |
| Inlay Adhesive | General Purpose Permanent |
| Adhesive Application Temperature | > +36.5°F [+2°C] |
| Adhesive Service Temperature | -4°F to +199.4°F [-20°C to +93°C] |
| Release Liner | 40# SCK |

| Environmental | |
|---------------------|---|
| Shelf Life | 2 years at +77°F [+25°C] @ 40% RH |
| Recommended Storage | +77°F [+25°C] @ 40% RH |
| Storage Limits | -13°F to 122°F [-25°C to +50°C] 20% to 90% RH Non-condensing |
| Operating Limits | -40°F to +158°F [-40°C to +70°C] 20% to 90% RH Non-condensing |
| Bend Diameter | > 1.97" [50mm] |
| Pressure | < 5N/mm ² |
| Drop Resistance | Per ASTM D5276 |
| Write Cycles | 100,000 @ 25°C |
| RoHs | 2002/95/EC Compliant |
| REACH | 1907/2006/EC Compliant |
| ESD – HBM / CDM | > 5.0kV / > 1.5kV |

| RFID | |
|-----------------------|---|
| Protocols Supported | ISO/IEC 18000-6C EPCglobal Class 1 Gen 2 |
| Integrated Circuit | Alien Higgs-4 |
| EPCglobal Certificate | 950110126000001084 |
| Operating Frequency | 840–960 MHz |
| EPC Size | 128 Bits |
| User Memory | 128 Bits |
| TID | 32 Bits |
| Unique TID | 64 Bits |
| Access Password | 32 Bits |
| Kill Password | 32 Bits |

Copyright © 2012 Alien Technology Corporation. All rights reserved.
 Alien, Alien Technology, the Alien Technology logo, FSA, Higgs, Dynamic Authentication, Quick-Write, Squiggle, and the Squiggle logo are trademarks or registered trademarks of Alien Technology Corporation in the U.S. and other countries.
 HANDLING PRECAUTIONS Observe standard handling practices to minimize ESD.
 DISCLAIMER Application recommendations are guidelines only - actual results may vary and should be confirmed. This is a general purpose product not designed or intended for any specific application.

This product is covered by one or more of the following U.S. patents: 7967204, 7931063, 7868766, 7737825, 7716208, 7716160, 7688206, 7659822, 7619531, 7615479, 7598867, 7580378, 7576656, 7562083, 7561221, 7559486, 7559131, 7554451, 7551141, 7548201, 7548008, 7531318, 7522865, 7509040, 7489248, 7453705, 7425467, 7417306, 7411503, 7385284, 7377445, 7364084, 7353598, 7342400, 7324061, 7321159, 7301458, 7295114, 7288432, 7265675, 7262686, 7260882, 7253735, 7244326, 7218527, 7214569, 7199527, 7193504, 7173528, 7172910, 7172789, 7141176, 7113250, 7101502, 7080444, 7070851, 7068224, 7046328, 6998644, 6988667, 6985361, 6980184, 6970219, 6952157, 6942155, 6933848, 6927085, 6816380, 6780696, 6731353, 6693384, 6683663, 6665044, 6657289, 6623579, 6606247, 6606079, 6590346, 6586338, 6566744, 6555408, 6527964, 6479395, 6468638, 6420266, 6316278, 6291896, 6281038. Other patents pending.



Alien Technology
 18220 Butterfield Blvd.
 Morgan Hill, CA 95037
 866-RFID NOW
www.alientechnology.com